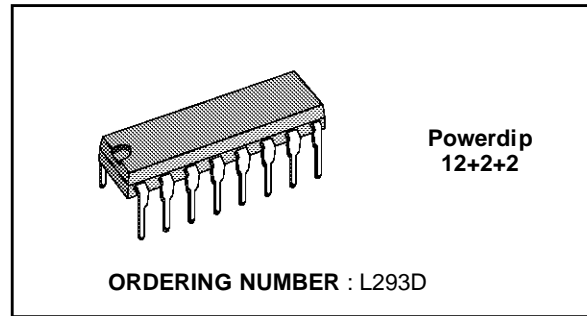


PUSH-PULL FOUR CHANNEL DRIVER WITH DIODES

PRELIMINARY DATA

- 600mA. OUTPUT CURRENT CAPABILITY PER CHANNEL
- 1.2A PEAK OUTPUT CURRENT (NON REPETITIVE) PER CHANNEL
- ENABLE FACILITY
- OVERTEMPERATURE PROTECTION
- LOGICAL "0" INPUT VOLTAGE UP TO 1.5V (HIGH NOISE IMMUNITY)
- INTERNAL CLAMP DIODES



DESCRIPTION

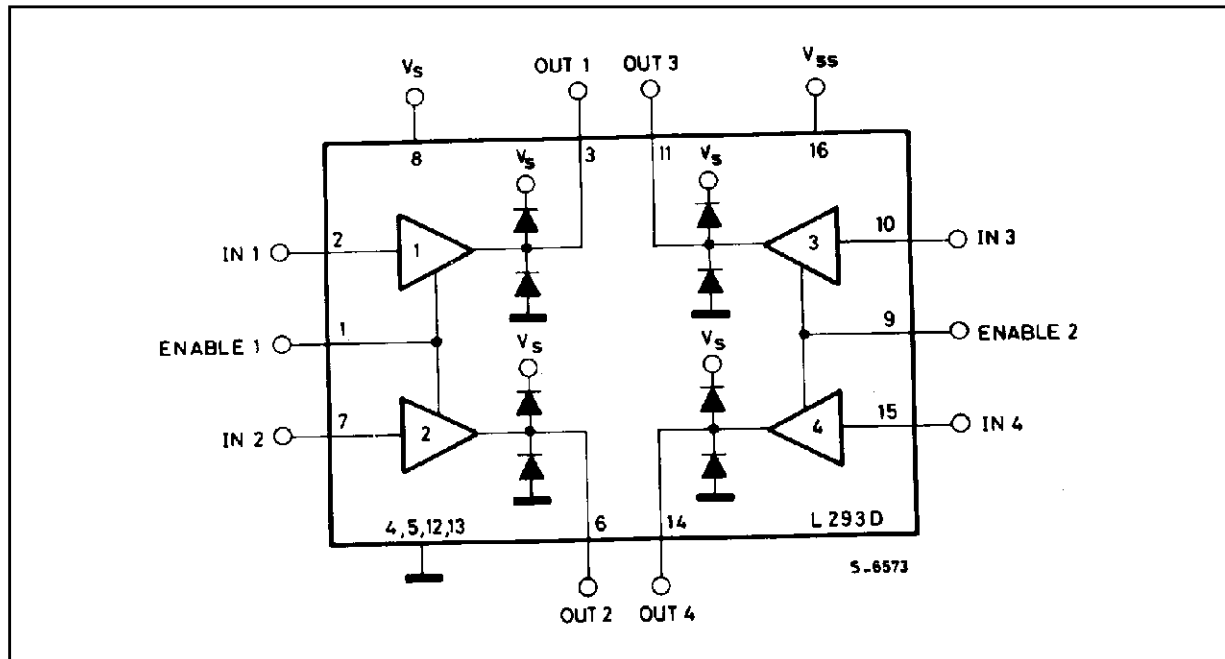
The L293D is a monolithic integrated high voltage, high current four channel driver designed to accept standard DTL or TTL logic levels and drive inductive loads (such as relays solenoids, DC and stepping motors) and switching power transistors.

To simplify use as two bridges is pair of channels is equipped with an enable input. A separate supply input is provided for the logic, allowing operation at a low voltage and internal clamp diodes are included.

This device is suitable for use in switching applications at frequencies up to 5 KHz.

The L293D is assembled in a 16 lead plastic package which has 4 center pins connected together and used for heatsinking.

BLOCK DIAGRAM

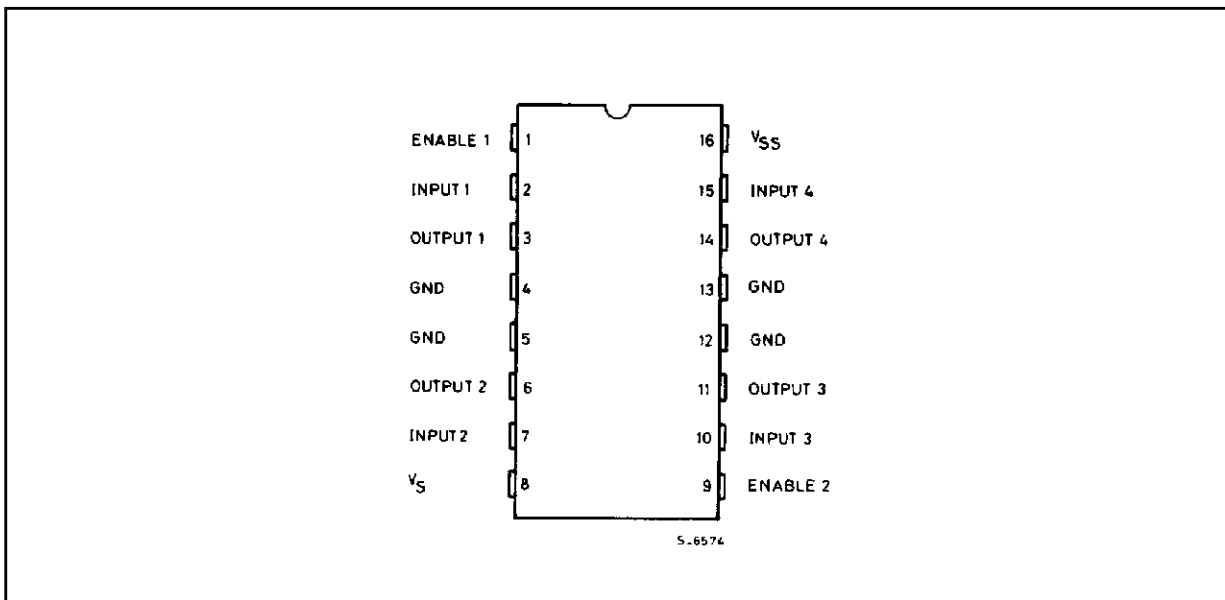


L293D

ABSOLUTE MAXIMUM RATINGS

Symbol	Parameter	Value	Unit
V_S	Supply Voltage	36	V
V_{SS}	Logic Supply voltage	36	V
V_i	Input voltage	7	V
V_{en}	Enable voltage	7	V
I_o	Peak output current (100 μ s non repetitive)	1.2	A
P_{tot}	Total power dissipation at $T_{ground-pins} = 80^{\circ}\text{C}$	5	W
T_{stg}, T_j	Storage and junction temperature	-40 to 150	$^{\circ}\text{C}$

CONNECTION DIAGRAM



THERMAL DATA

Symbol	Parameter	Value	Unit
$R_{th-j-case}$	Thermal resistance junction-case	max 14	$^{\circ}\text{C}/\text{W}$
$R_{th j-case}$	Thermal resistance junction-ambient	max 80	$^{\circ}\text{C}/\text{W}$

ELECTRICAL CHARACTERISTICS (For each channel, $V_s = 24V$, $V_{ss} = 5V$, $T_{amb} = 25\text{ }^\circ\text{C}$, unless otherwise specified)

Symbol	Parameter	Test conditions	Min.	Typ.	Max.	Unit
V_s	Supply voltage		V_{ss}		36	V
V_{ss}	Logic supply voltage (pin 16)		4.5		36	V
I_s	Total quiescent supply current (pin 8)	$V_i = L$ $I_o = 0$ $V_{en} = H$		2	6	mA
		$V_i = H$ $I_o = 0$ $V_{en} = H$		16	24	
		$V_{en} = L$			4	
I_{ss}	Total quiescent logic supply current (pin 16)	$V_i = L$ $I_o = 0$ $V_{en} = H$		44	60	mA
		$V_i = H$ $I_o = 0$ $V_{en} = H$		16	22	
		$V_{en} = L$		16	24	
V_{IL}	Input low voltage (pin 2, 7, 10, 15)		-0.3		1.5	V
V_{IH}	Input high voltage (pin 2, 7, 10, 15)	$V_{ss} \leq 7V$	2.3		V_{ss}	V
		$V_{ss} > 7V$	2.3		7	
I_{IL}	Low voltage input current (pin 2, 7, 10, 15)	$V_{IL} = 1.5V$			-10	μA
I_{IH}	High voltage input current (pin 2, 7, 10, 15)	$2.3 \leq V_{IH} \leq V_{ss} - 0.6V$		30	100	μA
V_{enL}	Enable low voltage (pin 1, 9)		-0.3		1.5	V
V_{enH}	Enable high voltage (pin 1, 9)	$V_{ss} \leq 7V$	2.3		V_{ss}	V
		$V_{ss} = 7V$	2.3		7	
I_{enL}	Low voltage enable current (pin 1, 9)	$V_{enL} = 1.5V$		-30	-100	μA
I_{enH}	High voltage enable current (pin 1, 9)	$2.3V \leq V_{enH} \leq V_{ss} - 0.6V$			± 10	μA
V_{CEsatH}	Source output saturation voltage (pin 3, 6, 11, 14)	$I_o = -0.6A$		1.4	1.8	V
V_{CEsatL}	Sink output saturation voltage (pins 3, 6, 11, 14)	$I_o = +0.6A$			1.2	1.8
V_F	Clamp diode forward voltage	$I_o = 600\text{ mA}$		1.3		V
t_r	Rise time (*)	0.1 to $0.9 V_o$		250		ns
t_f	Fall time (*)	0.9 to $0.1 V_o$		250		ns
t_{on}	Turn-on delay (*)	$0.5 V_i$ to $0.5 V_o$		750		ns
t_{off}	Turn-off delay (*)	$0.5 V_i$ to $0.5 V_o$		200		ns

(*) See fig.1

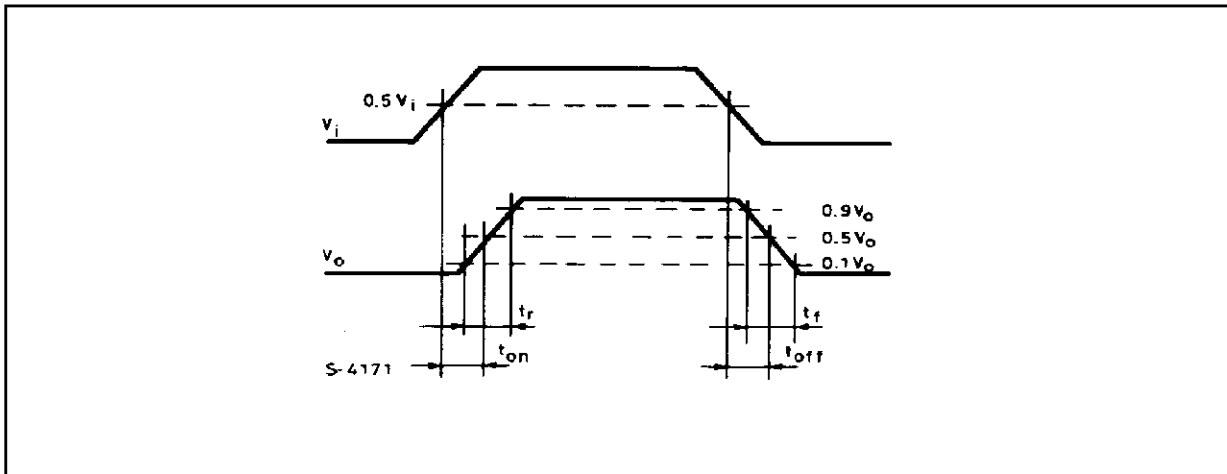
TRUTH TABLE (One channel)

INPUT	ENABLE (*)	OUTPUT
H	H	H
L	H	L
H	L	Z
L	L	Z

Z = High output impedance

(*) Relative to the considered channel

Figure 1. Switching Times



POWERDIP PACKAGE MECHANICAL DATA

DIM.	mm			inch		
	MIN.	TYP.	MAX.	MIN.	TYP.	MAX.
a1	0.51			0.020		
B	0.85		1.40	0.033		0.055
b		0.50			0.020	
b1	0.38		0.50	0.015		0.020
D			20.0			0.787
E		8.80			0.346	
e		2.54			0.100	
e3		17.78			0.700	
F			7.10			0.280
I			5.10			0.201
L		3.30			0.130	
Z			1.27			0.050



Information furnished is believed to be accurate and reliable. However, SGS-THOMSON Microelectronics assumes no responsibility for the consequences of use of such information nor for any infringement of patents or other rights of third parties which may result from its use. No license is granted by implication or otherwise under any patent or patent rights of SGS-THOMSON Microelectronics. Specifications mentioned in this publication are subject to change without notice. This publication supersedes and replaces all information previously supplied. SGS-THOMSON Microelectronics products are not authorized for use as critical components in life support devices or systems without express written approval of SGS-THOMSON Microelectronics.

© 1994 SGS-THOMSON Microelectronics - All Rights Reserved

SGS-THOMSON Microelectronics GROUP OF COMPANIES

Australia - Brazil - France - Germany - Hong Kong - Italy - Japan - Korea - Malaysia - Malta - Morocco - The Netherlands - Singapore - Spain - Sweden - Switzerland - Taiwan - Thailand - United Kingdom - U.S.A.